

GWKE euro shop cranes

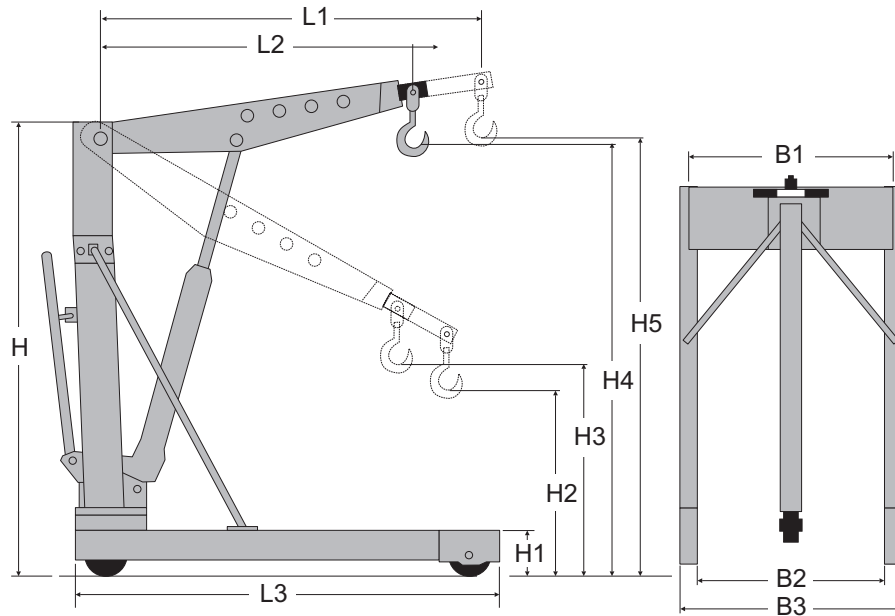


Properties

- Suitable for euro pallets 800x1200mm.
- Easy operation.
- Robust construction.
- Hard chromed cylinder.
- Braked steering wheels are rotatable through 360°.
- Rotating load hook (not under load).
- Jack adjustable in 4 positions.
- 125% proofed.
- Safety valve against overload.

Norm:

- EN12100-1/2, EN14985



Type	WLL P1 (Kg)	WLL P2 (Kg)	WLL P3 (Kg)	WLL P4 (Kg)	Weight (kg)	ProductId
GWKE-500	500	450	400	350	81	4220011
GWKE-1000	1000	900	800	700	103	4220013

Type	B1 (mm)	B2 (mm)	B3 (mm)	H (mm)	H1 (mm)	H2 (mm)	H3 (mm)	H4 (mm)	H5 (mm)	L1 (mm)	L2 (mm)	L3 (mm)
GWKE-500	925	840	1000	1595	155	470	705	2225	2475	1360	1060	1395
GWKE-1000	925	840	1000	1595	155	470	705	2225	2475	1360	1060	1395